



# Suggested Installation

## Buell XB Case Sliders

Thank you for purchasing the 5-0dro Buell XB Case Sliders. These slider assemblies were custom designed to fit your XB Series Buell Motorcycle. The following was developed as a preferred method for installation of your 5-0dro Buell XB Case Sliders onto your Buell XB series motorcycle.

**⚠WARNING! Improper use of this product could result in property damage, serious injury or death.**

**⚠WARNING! Use of thread-locker on hardware entering your engine components is strongly discouraged. Doing so can damage your engine components.**

**⚠WARNING! Bolts F & J have been pre-treated with a thread-locker. If they are removed for any reason after initial installation, they must be cleaned and medium strength thread-locker must be applied at reassembly.**

**⚠WARNING! If any gasket seal is compromised during the installation of this product, it is strongly recommended that you repair or replace the seal per Buell recommendations. Failing to do so could severely damage your engine.**

### Installation

**\*\*Engine must be at room temperature during installation.**

#### Primary Side (2003-2010)

1. Remove bolts from locations 1, 2, & 3 on the primary cover per figure 1.
2. Assemble bolt F through the left plate (item A), slider (item B) and flat washer (item G) per figure 3.
3. Thread the hex nut (item H) onto bolt F and torque per tables A & B.
4. Assemble three bolts (item E) through the left plate (item A), & through spacers (items C & D) per figure 3, then hand tighten through primary cover at locations 1, 2 & 3 on figure 1. **⚠WARNING! DO NOT USE THREAD- LOCKER ON THESE BOLTS!**
5. Torque bolts (item E) per tables A & B in locations 1, 2, & 3 consecutively.

#### Timing Cover Side (2003-2007)

1. Drill off the rivet heads that fasten the OEM timing cover using a 1/4" drill bit & remove the timing cover & any rivet remains.
2. Remove the Phillips head screws, **leaving the backing plate in place.**
3. Pass two bolts (item J) through flat washers (item P) then through the timing cover slider (item I) per figure 4 & backing plate (**via existing rivet holes\*\***) then thread into the existing threaded bosses evenly.
4. Torque bolts (item J) evenly per table A. **\*Do not overtighten.**

**\*\*Existing rivet holes may be enlarged (0.177" Dia, No. 16 Drill Max) for easy assembly if needed. Do not oversize!**

#### Oil Pump Cover Side (2008-2010)

1. Remove bolts from locations 1, 2, 3 & 4 per figure 2.
2. Assemble the bolt (item F) through the right plate (item M), slider (item B) and flat washer (item G) per figure 5.
3. Thread the hex nut (item H) onto the bolt (item F) and torque per table B.
4. Assemble four bolts (items K & L) through right plate (item M), & through spacers (item N) per figure 5, then thread through the oil pump Cover at locations 1, 2, 3 & 4 per figure 2. **⚠WARNING! DO NOT USE THREAD- LOCKER ON THESE BOLTS!**
5. Torque bolts per table A in locations 1, 2, 3 & 4 consecutively.

The installation of your 5-0dro XB Case Sliders is now complete! We hope that you enjoy your product! Please contact us at [info@5-0dro.com](mailto:info@5-0dro.com) with any questions you may have.

Table A: 2003-2007 Contents & Torque

Item	Description	Qty	Torque (in-lb/N-m)
A	Left Plate	1	-
B	Slider	1	-
C	7/8" thick spacer	2	-
D	1 1/8" thick spacer	1	-
E	3" bolt	3	90-110/10-12.4
F	2 1/4" bolt	1	200-210/22.6-23.7
G	Large Flat washer	2	
H	Hex nut	1	
I	Timing Cover Slider	1	-
J	3/4" bolt	2	25-30/2.8-3.4
P	Small Flat Washer	2	

**\*Do not overtighten.**

Table B: 2008-2010 Contents & Torque

Item	Description	Qty	Torque (in-lb/N-m)
A	Left Plate	1	-
B	Slider	2	-
C	7/8" thick spacer	2	-
D	1-1/8" thick spacer	1	-
E	3" bolt	3	90-110/10-12.4
F	2-1/4" bolt	2	200-210/22.6-23.7
G	Large Flat washer	4	
H	Hex nut	2	
K	1-5/8" Bolt	3	90-110/10-12.4
L	3-1/2" Bolt	1	90-110/10-12.4
M	Right Plate	1	-
N	3/8" thick spacer	4	-

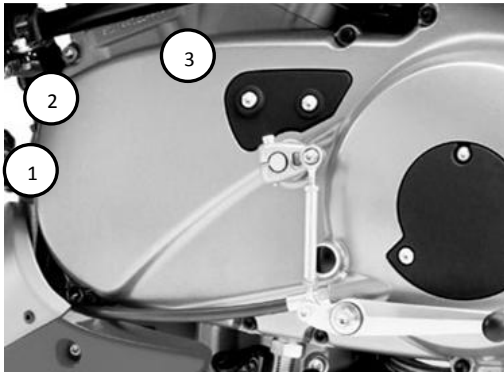
**\*Do not overtighten.**



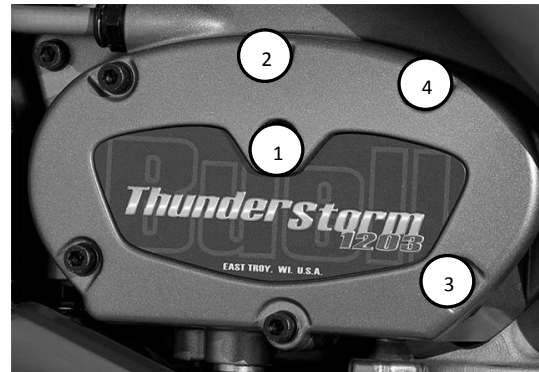
### Disclaimer

Motorcycling is an inherently dangerous activity which can result in serious injury or even death. 5-0dro products are intended for closed competition or show use only. 5-0dro products do not hold approval from any department of transportation (DOT) and may, in some localities, be illegal for use on the street. Use them at your own risk. All products must be installed by a qualified professional and periodically checked for tightness in accordance with these instructions. 5-0dro, Inc. nor its affiliates assume any responsibility for damage or injury of any kind due to the use, misuse or improper application of any merchandise by any person. 5-0dro, Inc. nor its affiliates shall not be held liable for any indirect or consequential damages whatsoever.

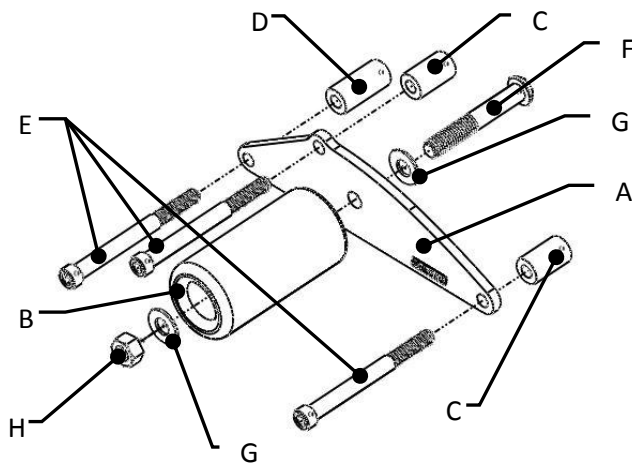
# FIGURES



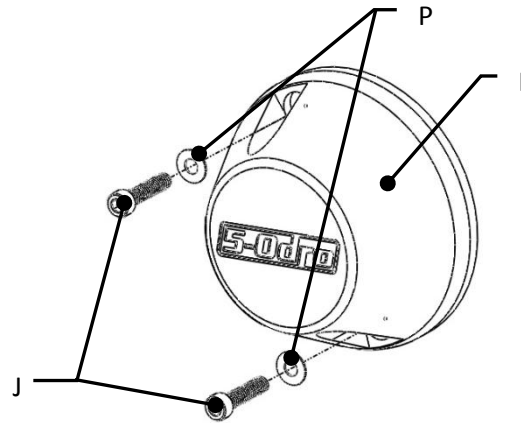
**Figure 1: Left Side (Primary)**



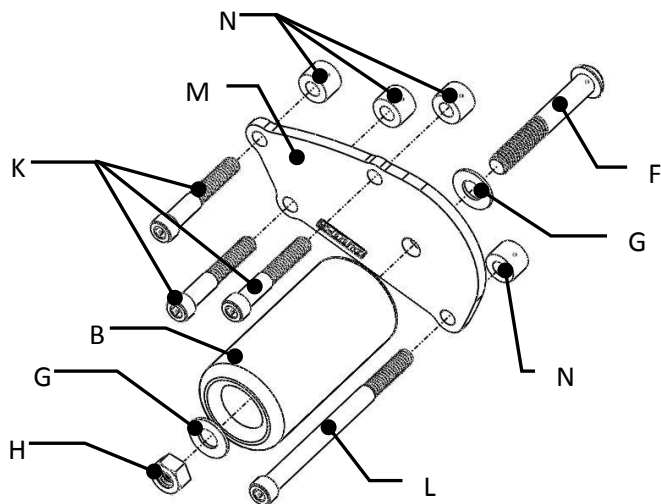
**Figure 2: Right Side – 2008-10 (Oil Pump Cover)**



**Figure 3: Left Side Slider Assembly**



**Figure 4: Timing Cover Slider Assembly (2003-07)**



**Figure 5: Right Side Slider Assembly (2008-10)**